

SPIROTOP®



**AUTOMATIC AIR VENTS
FOR HEATING, COOLING
AND PROCESS SYSTEMS**



SPIRO TECH
FOR BETTER PERFORMANCE

DOMESTIC | COMMERCIAL | INDUSTRY



Top quality should be at the highest points as well

Air and other gases collect at the highest point within a system. However, a system will often have several highest points. Trapped air can obstruct the flow at these points or even stop it altogether. If gases are not removed, or are not removed sufficiently, it can lead to commissioning problems, frequent manual venting, deteriorating pump performance and so on. Eventually, this will cause damage to expensive system components and lead to system and process malfunctions or even total failure, things which can be avoided if tackled individually but which need to be followed up immediately.

SpiroTop automatic air vents are designed to remove free air and trapped air bubbles quickly and effectively. If a system has to be drained, the SpiroTop ensures fast and reliable venting.

The SpiroTop is the reliable and worry-free solution ideal for:

- filling and venting systems;
- making and keeping the high points in pipe systems air-free;
- preventing air pockets from forming.

Total solutions

Spirotech offers an extensive range of total solutions for HVAC and process systems: accessories, additives and advice to ensure optimum efficiency and guarantee the quality of the system fluid. These products and services reduce faults, wear and maintenance as well as improve system performance and lower energy consumption. And what is more, these total solutions provide major benefits and save time during the design, installation, start-up and commissioning of systems.



Standard design



High-pressure/high-temperature design



Stainless steel design

Benefits of SpiroTop

The combination of the characteristics listed below ensures that the automatic SpiroTop will not leak during its very long life:

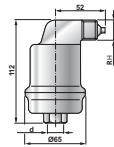
- The special valve construction means that the valve closes completely.
- The special valve seat has a very long life expectancy.
- The robust floats are made of solid plastic so cannot rupture.
- The significant gap between the valve and the water (at least 40 mm) prevents valve contamination which is one of the main causes of leaks.
- The ½" connection prevents the pipette effect.
- A complete range, suitable for various pressures and temperatures.
- Exceptional guarantee.



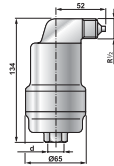
The SpiroTop should be mounted at the highest point of the system and at any points where air pockets may occur. The SpiroTop is to be installed vertically with the connection at the bottom.

Type	d	Material	Float material	Max. operating pressure	Max. temperature	Article number
SpiroTop	G½	Brass	PP	10 bar	110°C	AB050
SpiroTop HT	G½	Brass	TPX	10 bar	180°C	AB050/002
SpiroTop HT	G½	Brass	AISI 316	10 bar	180°C	AB050/007
SpiroTop Solar	G½	Brass	TPX	10 bar	180°C	AB050/008
SpiroTop Solar AutoClose	G½	Brass	TPX	10 bar	180°C	AB050FBA08
SpiroTop HP/HT	G½	Brass	TPX	25 bar	150°C	AB050/025
SpiroTop HP	G½	Brass	PP	16 bar	110°C	AB050/030
SpiroTop HT RVS	G½	AISI 316	TPX	10 bar	180°C	AB050/R002
SpiroTop HP/HT RVS	G½	AISI 316	TPX	25 bar	200°C	AB050/R004
SpiroTop HT RVS	G½	AISI 316	AISI 316	10 bar	180°C	AB050/R007

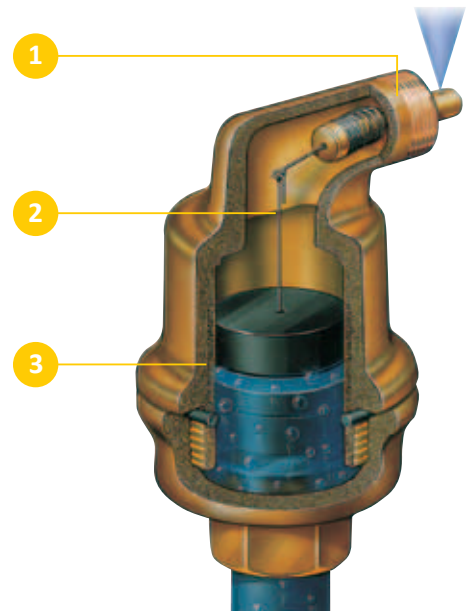
Other materials, pressures and temperatures are available on request.



10 bar



16 en 25 bar



1. The automatic air vent does not leak and cannot be closed. The SpiroTop comes with a thread for connecting a vent pipe as standard.
2. Specially constructed air chamber prevents floating dirt from reaching the valve and provides sufficient volume to absorb pressure fluctuations.
3. The solid construction guarantees a very long life.

For a completely air-free system, you need to install SpiroVent deaerators or vacuum degassers as well as SpiroTop air vents.

SpiroTop air vents are suitable for water and water/glycol mixtures (max. 50%). They can be used in combination with locally approved chemical additives and inhibitors that are compatible with the materials applied within the system. Not suitable for drinking water.

The standard SpiroTop is suitable for a temperature range of 0 to 110 °C and for an operating pressure of 0 to 10 bar. The SpiroTop housing is made of brass. The connection is a ½" female thread. Other materials, pressures and temperatures are available on request.



Digital support

Product data sheets, standard specification texts, line drawings, CAD symbols, project descriptions, etc. are available via our website.



Solar applications

Spirotech also offers an extensive range of air vents and deaerators for solar applications.



SpiroPlus®

Protect and optimize the system and its efficiency with SpiroPlus flushing agents and additives.

Separate literature is available that contains detailed product information. You can also find this information on our website.



SPIROLIFE Guarantee of a lifetime

Spirotech's Exceptional Guarantee Terms!

20 Brass Products $\leq 110^{\circ}\text{C}$:
20 years

5 Steel Products and
Brass Products $>110^{\circ}\text{C}$:
5 years

2 Vacuum Degassers:
2 years

Conditions:

Correct selection, installation, maintenance and use of the products, in accordance with our regulations, data sheets and user manuals. Our guarantee does not cover normal wear and tear. Please also see our general terms and conditions.

Spirotech: accessories, additives and advice

Spirotech designs and produces innovative total solutions for conditioning fluids in HVAC and process systems. Our products and services reduce faults and wear, less maintenance is required, performance is improved and energy consumption is reduced.

Spirotech is deservedly regarded as the only real specialist in the world. Leading manufacturers of system components recommend Spirotech products on account of their high standard of quality and the company's vision on product development and process improvement.

Thanks to a very extensive international network of suppliers, users all over the world enjoy the benefits of our products and services every day.

Spirotech is a Spiro Enterprises company



Spirotech bv
PO Box 207
5700 AE Helmond, NL
T +31 (0)492 578 989
F +31 (0)492 541 245
info@spirotech.nl
www.spirotech.com

Spirotech UK Ltd.
PO Box 818 Altrincham
Cheshire, WA15 5GZ
T +44 (0)208 451 3344
F +44 (0)208 451 3366
info@spirotech.co.uk
www.spirotech.co.uk

The diagrams and situations presented in this brochure are only intended to serve as examples. We would be pleased to advise you on any specific circumstances. Modifications and printing/typographic errors reserved.
© Copyright Spirotech bv. no part of this publication may be used without prior written permission from Spirotech bv.

